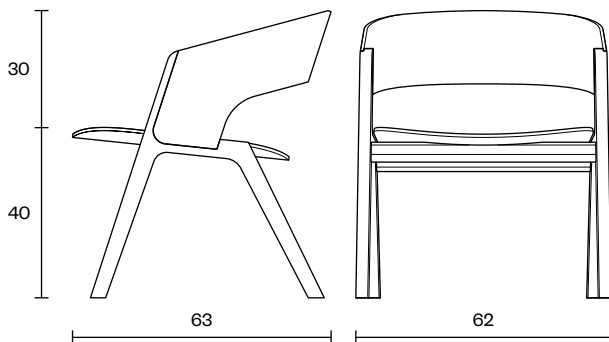


Ritz

Armchair



Ritz is the embodiment of the idea of armchair. Classical in shape, with simple and subtle lines, the armchair is exceptionally comfortable. The design is plain and it exemplifies the harmony of fundamental elements. Ritz Armchair is visually low-key. Its seat and back are always upholstered for superior comfort. It can be used with or without Ritz Footrest.



Design	Zoran Jedrejčić
Dimensions	62x63x70 cm (Seater Height 40 cm)
Weight	8.5 kg
Wood & Plywood choice	<ul style="list-style-type: none"> • Beech – Natural / Colored
Combinations	<ul style="list-style-type: none"> • Wooden Armchair with upholstered seater & back part
Packaging Info	5 Layer Cardboard Box <ul style="list-style-type: none"> • Max. per Box: 1 Armchair • Gross Weight: Ca. 11.0 kg • Volume: 0.33 m³ • Box Size: 66x66x75 cm