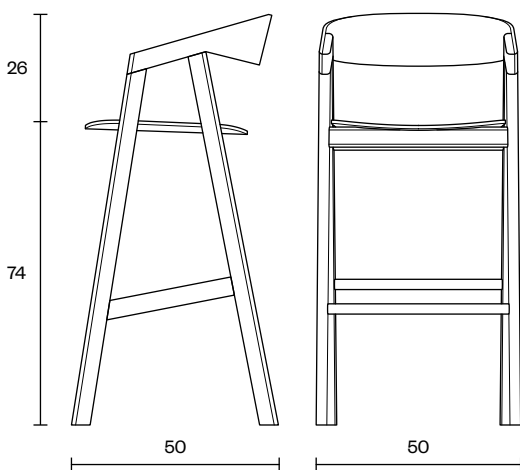


Simple Bar Stool



Simple Bar Stool has a low back support, which makes it highly comfortable and suitable for long sitting. It is a perfect fit for private ambiances, where comfort is an imperative. Due to its functional design, the stool is ideal for hotel bars and high dining arrangements. There is a possibility of the seat upholstery for additional comfort.



Design	Zoran Jedrejčić
Dimensions	50x50x100 cm (Seater Height 74 cm)
Weight	5.9 / *6.6 kg
Wood & Plywood choice	<ul style="list-style-type: none"> • Beech – Natural / Colored
Combinations	<ul style="list-style-type: none"> • Wooden Bar Stool • Wooden Bar Stool with upholstered seater part
Packaging Info	5 Layer Cardboard Box <ul style="list-style-type: none"> • Max. per Box: 1 Bar Stool • Gross Weight: Ca. 8.4 / *9.1 kg • Volume: 0.32 m³ • Box Size: 55x55x105 cm