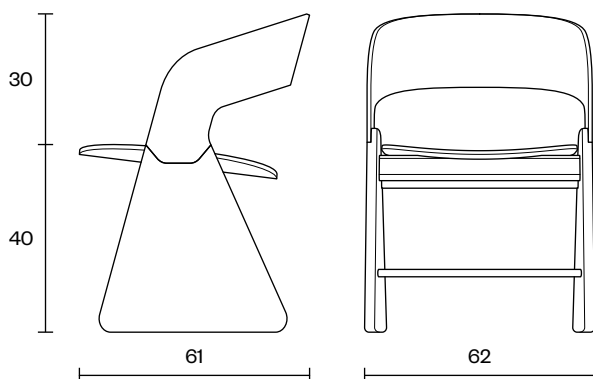


Lavi

Armchair



Lavi Armchair has a stable and harmonious form and with its distinguishing legs, imbues any space with particular character. The striking legs make the chair very stable, both functionally and visually. Lavi Armchair is made in either beech, or oak wood, with optionally upholstered seat and back.



Design	Zoran Jedrejčić
Dimensions	61x62x70 cm (Seater Height 40 cm)
Weight	12.2 - 13.0 kg
Wood & Plywood choice	<ul style="list-style-type: none"> • Beech - Natural / Colored • Oak - Natural
Combinations	<ul style="list-style-type: none"> • Wooden Armchair with upholstered seater & back part
Packaging Info	5 Layer Cardboard Box <ul style="list-style-type: none"> • Max. per Box: 1 Armchair • Gross Weight: Ca. 14.3 - 15.1 kg • Volume: 0.29 m³ • Box Size: 72x63x63 cm